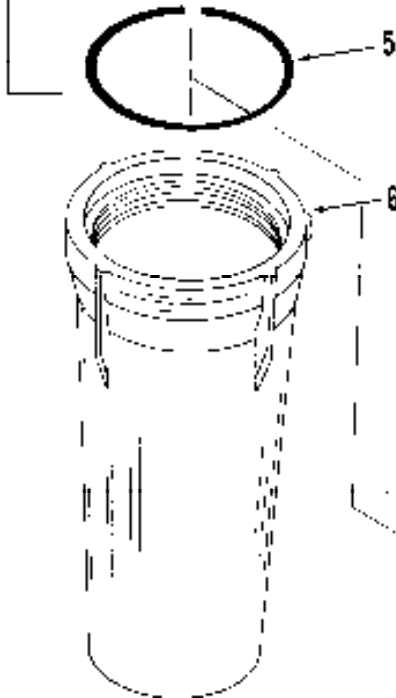
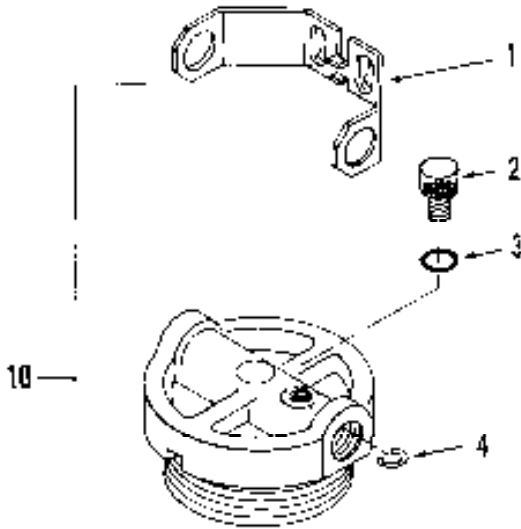


GARD™ SERIES FILTERS AND FEEDERS PARTS LIST MODELS FROM 1978

Item No.	Part No.		Description
	Clear Bowl	Opaque Bowl	
1	00-4498-91	00-4498-91	Bracket
2	00-4406-64	00-4406-64	Bleed Valve
†3	00-5034-64	00-5034-64	O-ring Seal
4	00-4408-77	00-4408-77	Snap-Ring Retainer, Bleed Valve
†5	00-4409-06	00-4409-06	Ring Seal
6	00-9551-01	—	Clear Bowl (All Models)
6	—	00-4427-07	Opaque Bowl (Filtr-Gard® & Flavr-Gard™ Series)
7	00-9553-17	01-0046-76	Fine Polypropylene Filter Element**
7	00-9553-18	00-9550-10	Medium Polypropylene Filter Element**
7	00-9553-19	00-9550-26	Coarse Polypropylene Filter Element**
8	00-9550-15	00-9550-27	Ceramic Filter Element
9	01-0052-04	01-0052-04	Flavr-Gard cart.-composite carbon-single
9	01-0062-68	01-0062-68	Flavr-Gard cart.-composite carbon-20pk
9	00-9552-61	00-9552-61	Flavr-Gard Cartridge - Cullar® G
	00-4478-07	00-4478-07	Flavr-Gard Cartridge - Cullar M
†*	00-3084-08	00-3084-08	O-ring, Flavr-Gard Cartridge
10	00-4498-75	00-4498-75	Filtr-Gard Head Assembly (Inc. 00-4496-90 & Items 2, 3, 4, 5)
10	00-4435-61	00-4435-61	Flavr-Gard Head Assembly (Inc. 00-4448-69 & Items 2, 3, 4, 5)
10	00-4435-63	00-4435-63	Rust-Gard™ Head Assembly (Inc. 00-4448-70 & Items 2, 3, 4, 5)
*	00-4429-18	00-4476-61	Filtr-Gard Instruction Decal
*	00-4429-17	00-4476-62	Flavr-Gard Instruction Decal
*	00-4429-19	—	Rust-Gard Instruction Decal
*	00-4428-10	00-4428-10	Rust-Gard Head Discharge Filter



* Not Illustrated
† Recommended Spare Parts
** For Filtr-Gard Product

